

Valid from 01.01.2015 till 30.12.2015



Monocrystalline Module	Solet M60.6-260	Solet M60.6-265	Solet M60.6-270	Solet M60.6-275	Solet M60.6-280	Solet M60.6-285
Electrical Parameter						
Maximum Power (PMPP)	260.1-265.0 Wp	265.1-270.0 Wp	270.1-275.0 Wp	275.1-280.0 Wp	280.1-285.0 Wp	285.1-290.0 Wp
Rated Voltage (VMPP)	32,2 V	32,4 V	32,4 V	32,58 V	32,64 V	32,7 V
Rated Current (IMPP)	8,2 A	8,3 A	8,5 A	8,68 A	8,71 A	8,75 A
Open Circuit Voltage (VOC)	37,9 V	38,0 V	38,1 V	38,4 V	38,4 V	38,5 V
Short Circuit Current (ISC)	8,8 A	8,9 A	9,0 A	9,18 A	9,21 A	9,25 A
Power tolerance	0+3%	0+3%	0+3%	0+3%	0+3%	0+3%
Working Conditions						
Maximum System Voltage	DC 1000V (TUV)					
Operating temperature	-40°C/+85°C					
Maximum reverse current	15 A					
max. wind load/max. snow load	2400 Pa/5400 Pa					
IP protection level	65					
Safety class	II					
Temperature Coefficients						
Voltage temperature coefficient (β)	-0,36 %/K			-0,34 %/K		
Current temperature coefficient (α)	+0,07 %/K			+0,03 %/K		
Power temperature coefficient (δ)	-0,38 %/K			-0,44 %/K		

Module guarantee Module performance guarantee



12 years



90 % max output



80 % max output

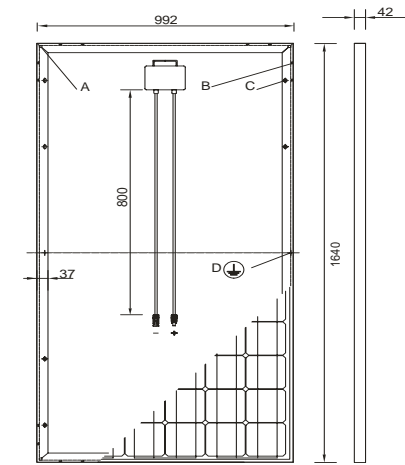
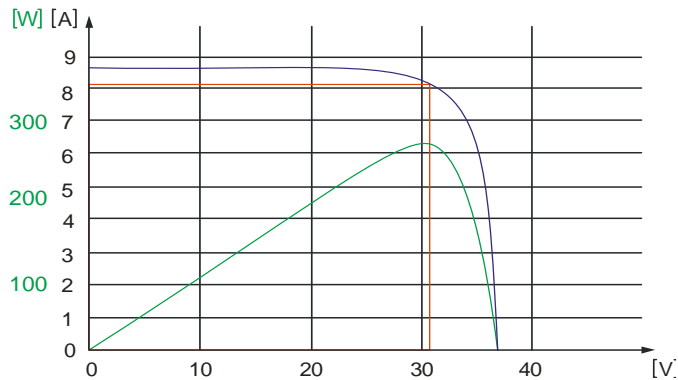


IEC 61215
IEC 61730



UAB „Solet“ • Company code 302664572 • Zirmunu str. 139, LT-03209 Vilnius • Lithuania
Tel.: +370 5 2363643 • e-mail: solet@precizika.lt • www.solet.lt

Specification	
Cell Size	156x156 mm (diagonal: 203 mm)
Number of cells	6x10, three strings in a row
Front side glass	3,2 mm hardened solar glass
Weight	19 kg
Dimensions (LxWxH)	1640x992x40 mm
J-box	Plastic, IP65, ventilated
Cable length	0,8-1,1 m
Cable cross cestion size	4 mm ²
Number of diodes	3
Plug-in connection	MC4 or equivalent
Frame	Anodised Al frame
Packing configuration	25 pcs./ pallet



A: Drainage; B: Ventilation;
C: Mounting holes; D: Earthing;