

SUPREME SERIES



* GD



Two-stage
Compressor

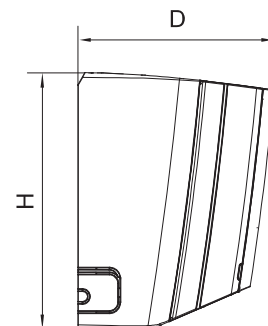
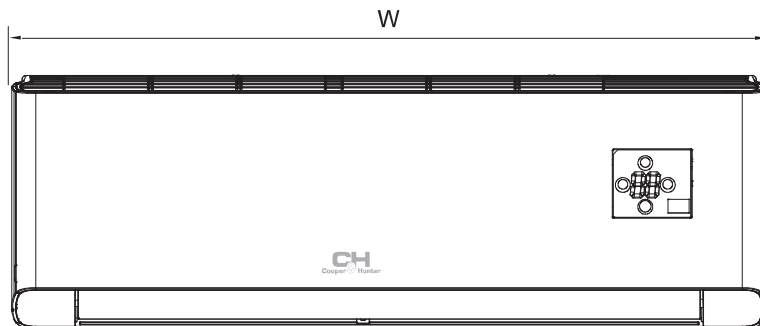


- ▶ Household heat pump. It is customized to generate heat in northern countries;
- ▶ Two-stage compressor for efficient operations at low and high ambient temperature.
- ▶ Your house protection against freezing: the "+8°C function". The air conditioner will maintain +8°C temperature preventing room freezing and consuming low energy;
- ▶ "CH SMART-ION Filter" – the new generation technology of total cleaning of air;
- ▶ Built-in Wi-Fi module for long-distance Wi-Fi control via Android/iOS application;
- ▶ High class of energy efficiency SEER A+++ SCOP A+++;
- ▶ Extra low noise level – only 18 dB, solid cast plastic body and new technology of seamless heat exchanger.



Model			CH-S09FTXAM2S *	CH-S12FTXAM2S *	CH-S18FTXAM2S *	CH-S24FTXAM2S *
Capacity	Cooling	kW	2,70 (0,70-5,00)	3,53 (0,85-5,00)	5,30 (1,20-7,20)	7,03 (2,00-9,00)
	Heating	kW	3,50 (0,70-5,50)	4,20 (0,88-7,20)	5,57 (1,20-9,20)	7,03 (2,00-9,50)
Consumed power	Cooling	kW	0,55 (0,08-1,80)	0,84 (0,06-1,90)	1,32 (0,35-2,50)	1,85 (0,45-3,70)
	Heating	kW	0,75 (0,13-2,40)	0,95 (0,13-2,60)	1,32 (0,35-3,30)	1,75 (0,38-3,80)

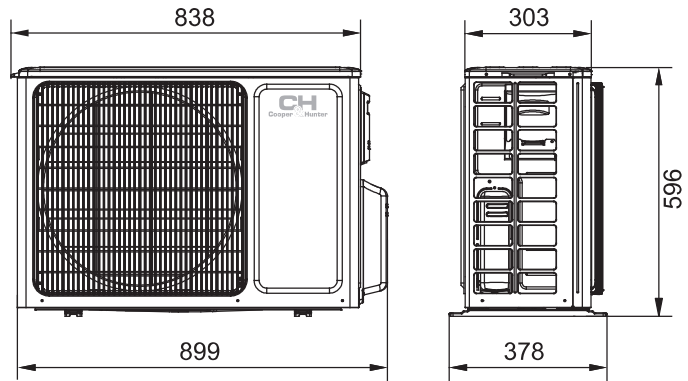
INDOOR UNIT



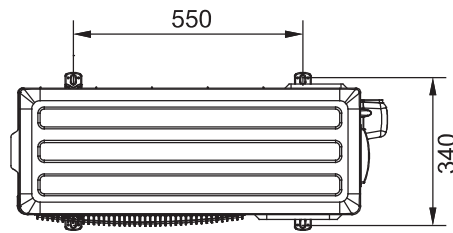
Model	W (mm)	H (mm)	D (mm)
CH-S09FTXAM2S *	996	301	225
CH-S12FTXAM2S *	996	301	225
CH-S18FTXAM2S *	1101	327	249
CH-S24FTXAM2S *	1101	327	249

OUTDOOR UNIT

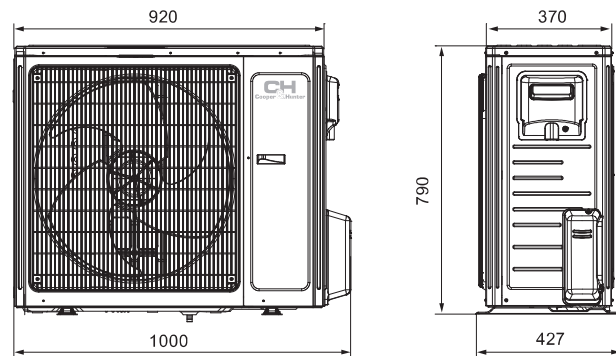
CH-S09FTXAM2S *



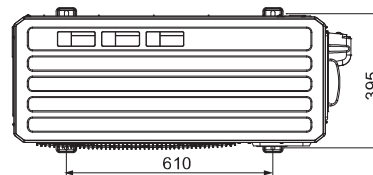
CH-S12FTXAM2S *



CH-S18FTXAM2S *



CH-S24FTXAM2S *



Model			CH-S09FTXAM2S *	CH-S12FTXAM2S *	CH-S18FTXAM2S *	CH-S24FTXAM2S *
Capacity	Cooling	kW	2,70 (0,70-5,00)	3,53 (0,85-5,00)	5,30 (1,20-7,20)	7,03 (2,00-9,00)
	Heating	kW	3,50 (0,70-5,50)	4,20 (0,88-7,20)	5,57 (1,20-9,20)	7,03 (2,00-9,50)
Power supply			~ 220-240V/50Hz			
Consumed power	Cooling	kW	0,55 (0,08-1,80)	0,84 (0,06-1,90)	1,32 (0,35-2,50)	1,85 (0,45-3,70)
	Heating	kW	0,75 (0,13-2,40)	0,95 (0,13-2,60)	1,32 (0,35-3,30)	1,75 (0,38-3,80)
Energy performance	SEER (Cooling)	kW/kW	8,5 (A+++)	8,5 (A+++)	7,5 (A++)	6,5 (A++)
	SCOP (Heating)	kW/kW	5,1 (A+++)	5,1 (A+++)	4,4 (A+)	4,1 (A+)
Air flow		m ³ /h	430/500/560/620/670/720/800	450/530/580/630/680/730/800	600/780/950/1150/1200	650/750/800/850/950/1100/1250
Sound pressure level	Indoor unit	dB (A)	18/22/26/30/34/38/43	20/24/28/32/36/41/46	30/33/36/39/42/45/48	32/35/38/41/44/47/50
	Outdoor unit	dB (A)	53	54	56	58
Refrigerant type			R-32			
Weight	Indoor unit	kg	13	13,5	16,5	16,5
	Outdoor unit	kg	44,5	45,5	62,5	65
Compressor type			rotary			
Drying		l/h	0,8	1,4	1,8	2,0
Cooling operation ambient temperature		°C	-18 ... +54			
Heating operation ambient temperature		°C	-30 ... +24			
Gas charge volume		kg	1,0	1,0	1,5	2,0
Liquid line diameter		mm/inch	6,38/1/4"	6,38/1/4"	6,38/1/4"	6,38/1/4"
Gas line diameter		mm/inch	9,53/3/8"	9,53/3/8"	15,88/5/8"	15,88/5/8"
Maximal difference in level		m	10	10	20	30
Maximal pipe length		m	15	20	40	50
Distance between the bolts of the outdoor unit fastening			550		610	

* SEER - seasonal coefficient of system cooling capacity.

** SCOP - seasonal coefficient of system cooling capacity.